

SYNERGY STAND

ASSEMBLY GUIDE

Thank you for purchasing a Synergy Stand.

The Synergy Stand has been designed from the ground up to be the perfect freestanding desk mount solution for monitors up to 28" widescreens.

The team at Multiple Monitors became frustrated with the multi monitor stands available on the market. Working in the multi-screen field for years they found that existing stands were either too inflexible, couldn't accommodate bigger screens, made alignment difficult or were simply too expensive.

This frustration led them to take the lead in designing the Synergy Stand, a multi-screen desk mounting solution that is easy to assemble, offers unmatched flexibility, is highly stable, and is available at a realistic price.

Being a fully modular system means that any Synergy Stand can be reconfigured into any of the available layout styles easily. This also allows the stand to grow with your requirements which can lower the cost of ownership over the longer term.

Extra parts and components to allow reconfiguration are available to purchase online at www.synergy-stand.com.

Assembly of your new stand should take between 15 – 30 minutes depending on your desired configuration, use this booklet as a guide to help you. We recommend you read through the guide in full before starting assembly as we have some handy installation and alignment tips towards the back of the guide.

For further help with any aspect of your new Synergy Stand please visit: www.synergy-stand.com

Components List

Synergy Stands are assembled using modular components. A table detailing the various components can be found below:

Part-Code	Name	Description
S2-B1	Base (Standard)	Standard freestanding base
S2-B2	Base (Thick)	Thick freestanding base
S2-BP	Base Parts	Base fixings for S2-B1 & S2-B2 to support pole (S2-P1/S2-P2)
S2-P1	Central Pole (Short)	Short central pole for single row stands
S2-P2	Central Pole (Tall)	Tall central pole for double row stands
S2-A1	Short Arm (x2)	Short arms for stands with a row of 2 horizontal screens.
S2-A2	Long Arm (x2)	Long arms for stands with a row of 3 horizontal screens.
S2-M1	Arm Mounting Kit (x2)	Kit to attach 2 arms (S2-A1/S2-A2) to a central pole (S2-P1/S2-P2)
S2-V1	Arm Mounted VESA	Used to attach a screen to a short or long arm (S2-A1/S2-A2)
S2-V2	Central Mounted VESA	Used to attach a screen to a central pole (S2-P1/S2-P2)
S2-TP	Tool Pack	Tools kit used to assemble the stand

All components in your stand pack are labelled as above.

The following table details the component packs that make up each type of stand layout and the quantity in which they are supplied:

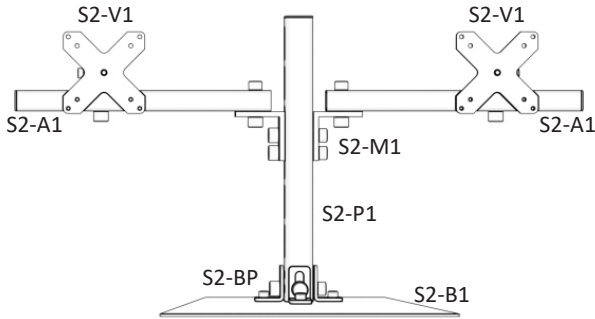
Stand Name	S2-B1	S2-B2	S2-BP	S2-P1	S2-P2	S2-A1	S2-A2	S2-M1	S2-V1	S2-V2
Dual Horizontal	1	-	1	1	-	1	-	1	2	-
Dual Vertical	1	-	1	-	1	-	-	-	-	2
Triple Horizontal	1	-	1	1	-	-	1	1	2	1
Triple Pyramid	1	-	1	-	1	1	-	1	2	1
Quad Square	1	-	1	-	1	2	-	2	4	-
Quad Pyramid	1	-	1	-	1	-	1	1	2	2
Quad Horizontal	2	-	2	2	-	2	-	2	4	-
Five Pyramid	-	1	1	-	1	1	1	2	4	1
Six	-	1	1	-	1	-	2	2	4	2
Eight	2	-	2	-	2	4	-	4	8	-

Notes:

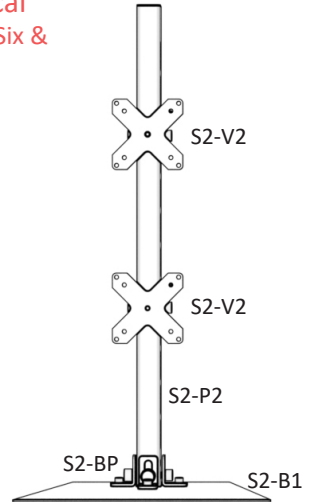
- The labelled components in your stand pack contain all the screws, bolts and associated fixings required for use with that specific component.
- The supplied tools pack contains the tools required for your stand assembly.
- Please check you have the right component packs for your desired stand.
- Quad Horizontal stands are two Dual Horizontal stands and Eight stands are two Quad Square stands. Quad, Six & Eight 'Pole' configurations are simply multiple Dual Vertical stands. Please follow / multiply the Dual Horizontal / Quad Square / Dual Vertical instructions respectively for assembly guidance.
- See the next two pages for stand assembly diagrams.

Stand Assembly Diagrams

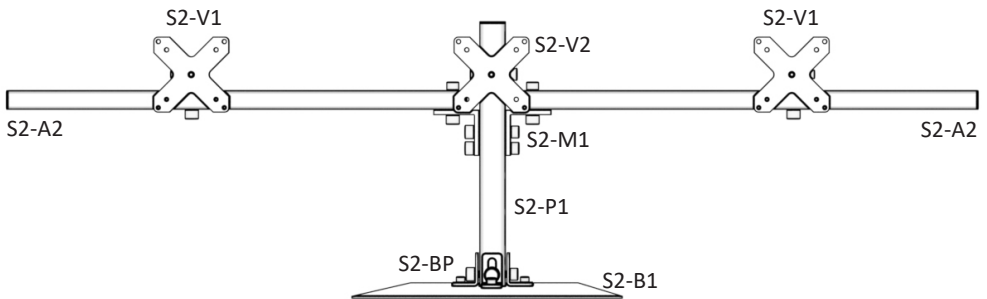
Dual Horizontal (Also Quad Horizontal)



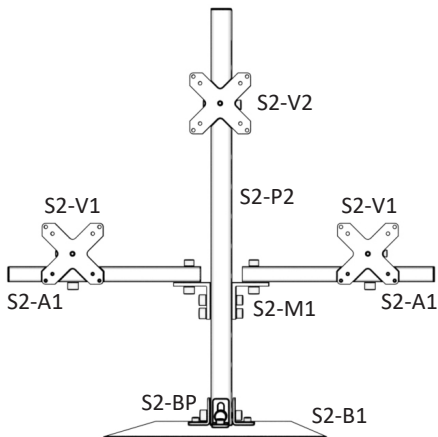
Dual Vertical (Also Quad, Six & Eight Pole)



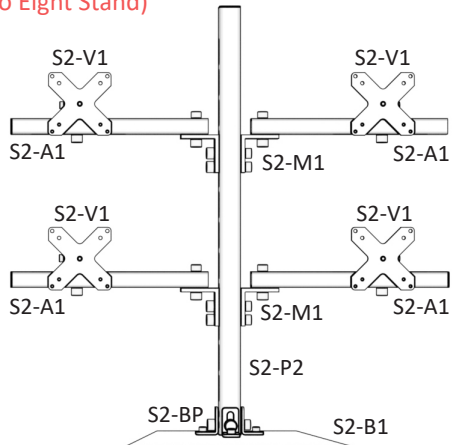
Triple Horizontal



Triple Pyramid

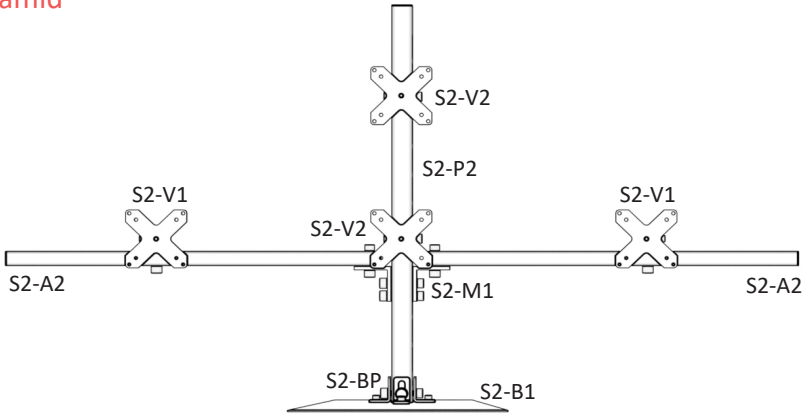


Quad Square (Also Eight Stand)

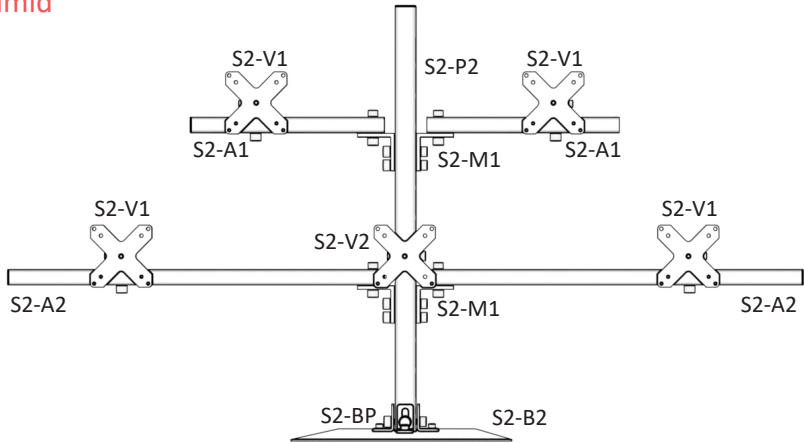


Stand Assembly Diagrams

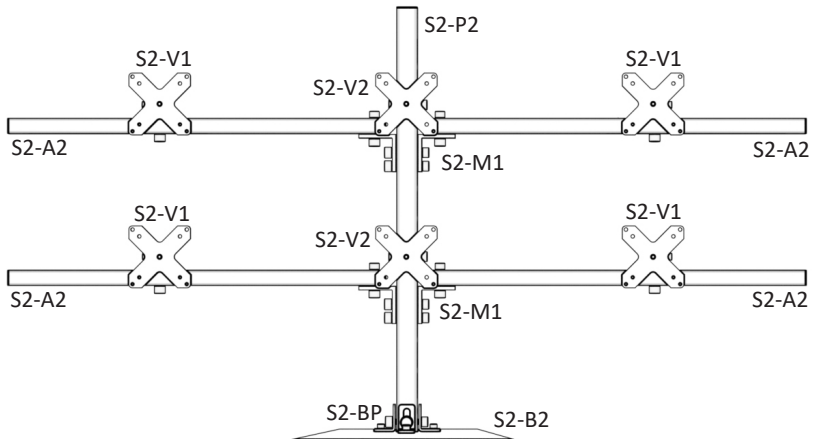
Quad Pyramid



Five Pyramid



Six

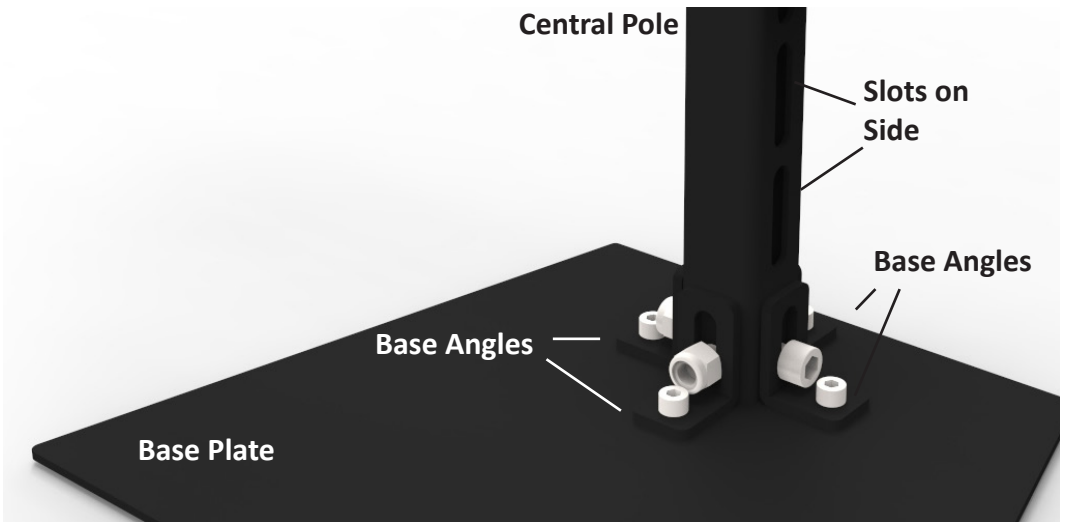


Component Assembly Instructions

Base (S2-B1 or S2-B2), Base Pack (S2-BP) & Central Pole (S2-P1 or S2-P2)

The S2-BP base pack contains 4 base angle pieces which are used to secure a short or tall central pole to a base plate.

1. Before starting attach the four sticky feet pads to the bottom corners of your base plate, this is required to avoid damaging your work surface / desk.
2. Next attach the four base angles around the bottom of the central pole using the supplied large bolts and nuts, ensure to keep these loose at this stage.
3. Use the supplied smaller bolts to secure each of the four base angles to the base plate, tighten these bolts directly into the base plate. Take care to ensure that the slots on the central pole are facing sideways on to the front of the base (as pictured below).
4. Use the supplied tools to tighten up the 2 thick bolts and nuts to firmly secure the base angles to the central pole. Ensure the central pole stands level as you are securing it in place.
5. Once everything is tightly in place you can use the supplied bolt / nut covers to hide all the fixings.



Installation Notes:

- Do not forget to start by applying the four stick base pads before beginning assembly, without these you are likely to damage your work surface.
- Keep the base angles loose on the central pole until you have bolted them to the base plate, only then should you tighten the thicker bolts & nuts up to fully secure the central pole.

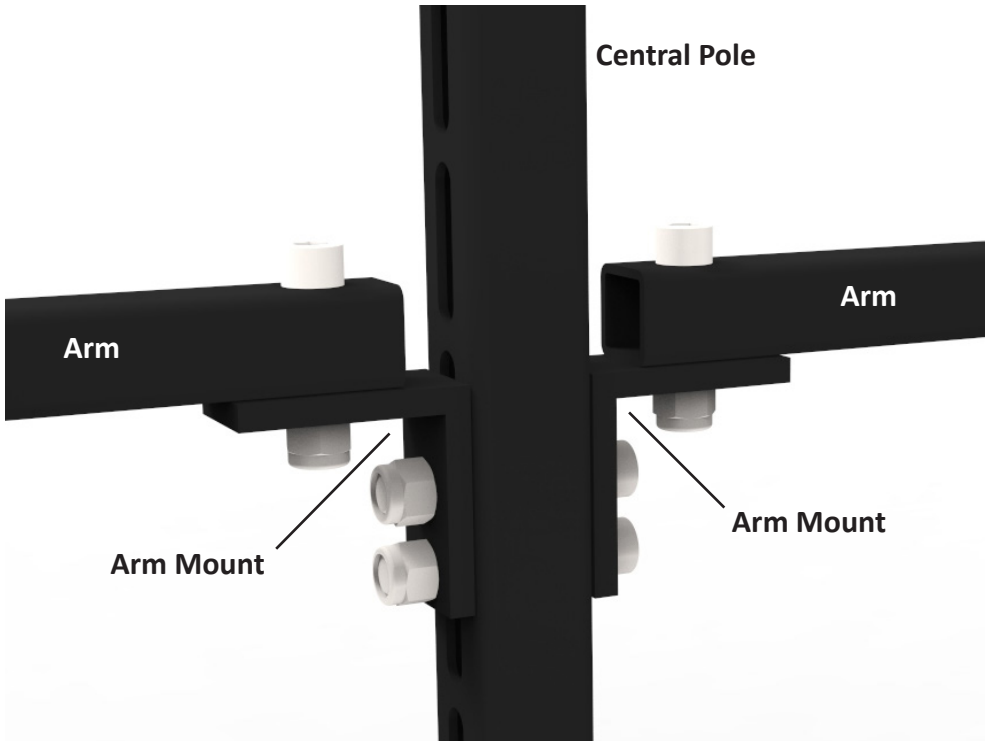
Watch Assembly Video: <http://www.synergy-stand.com/assembly-videos.html>

Component Assembly Instructions

Arms (S2-A1 or S2-A2) & Arm Mounts (S2-M1)

For stand configurations using arms use the Arm Mount pack (S2-M1) to attach two Long or Short Arms (S2-A1 or S2-A2) to your central pole.

1. Decide on what height you want to mount the arms then use the 2 supplied long bolts and nuts to attach both arm mounts to the central pole. Tighten the top bolt first then insert and tighten the bottom of the two bolts.
2. Attach one arm to the arm mount using the shorter bolt and nut supplied in the arm mount kit. Ensure the washer sits between the bottom of the arm and the arm mount. Tighten this up until the arm is held securely in place, it can pivot forwards or backwards if pressure is applied.
3. Repeat the process for the second arm.



Installation Notes:

- If your stand configuration has a two rows of arms you should mount the bottom arms first before attaching the top row.
- You may wish to measure your screen height before attaching the arms to ensure the final mounting positioning meets your requirements.

Watch Assembly Video: <http://www.synergy-stand.com/assembly-videos.html>

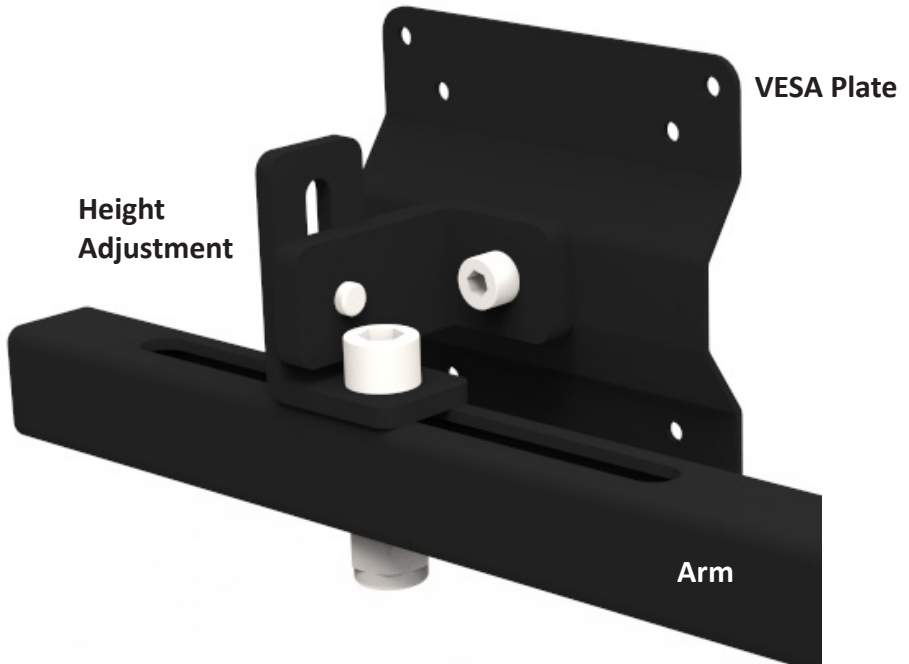
Component Assembly Instructions

Arm Mounted VESA's (S2-V1)

Arm Mounted VESA (S2-V1) kits come fully assembled and attach your screens to Long or Short Arms.

1. Lay your screen face down on a flat surface and position the VESA plate over the 4 mounting screw holes, use the 4 small bolts to firmly attach the screen to the VESA plate.
2. Remove the nut from the bolt inserted into the bottom bracket of the VESA kit and then pick up your screen and position it over the arm, the bolt then passes through the long slot in the arm and is secured by re-attaching the nut underneath the arm.

Take care to ensure the washer sits between the arm and the bottom bracket of the VESA assembly.



Installation Notes:

- For stability during installation we recommend mounting any central screens before any external arm mounted screens.
- Bolts behind the VESA plate control the resistance of the tilt, pivot and rotation features. Once your screens are in place we recommend tightening all bolts firmly.
- The large slot on the side of this kit allows for individual adjustment of screen mounting heights to ensure perfect alignment.

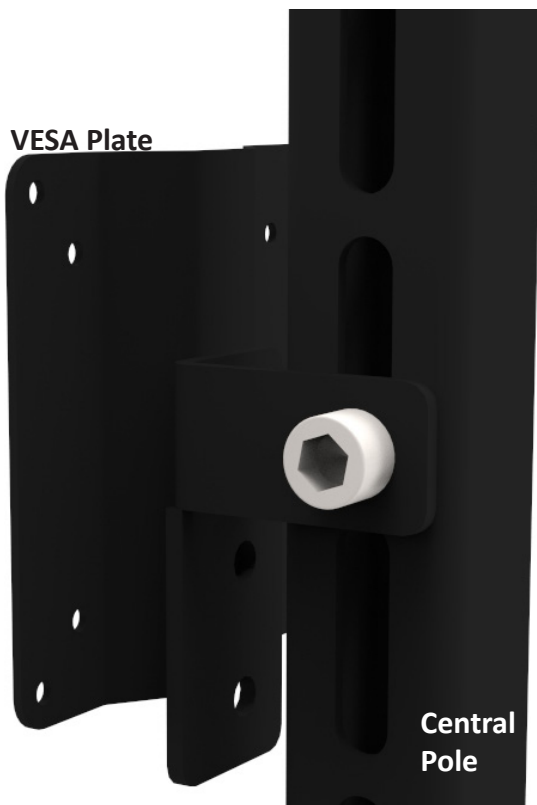
Watch Assembly Video: <http://www.synergy-stand.com/assembly-videos.html>

Component Assembly Instructions

Central / Pole Mounted VESA's (S2-V2)

Central Mounted VESA (S2-V2) kits come fully assembled and attach your screens directly to Short or Tall central poles.

1. Lay your screen face down on a flat surface and position the VESA plate over the 4 mounting screw holes, use the 4 small bolts to firmly attach the screen to the VESA plate.
2. Remove the nut from the bolt inserted into the side bracket of the VESA kit and then pick up your screen and position it against the central pole, the bolt then passes through the side slot in the pole and is secured by re-attaching the nut on the opposite side of the central pole.



Installation Notes:

- The bolt behind the VESA plate controls the resistance of the screen rotation, it is best to ensure this is tight before mounting a central screen to the stand.
- To align with outer screens mount the central screen in the slot above any arms attached to the stand.
- You can re-attach the VESA plate to any of the 3 holes on the front of the SS-V2 bracket to achieve the perfect mounting height for your central screen.

Watch Assembly Video: <http://www.synergy-stand.com/assembly-videos.html>

Installation Tips

Please read through these installation tips and advice before proceeding with the assembly of your stand:

- Before starting assembly tighten up the bolts on the S2-V1 and S2-V2 packs to increase the ease of installation.
- When assembling a double height stand always attach the bottom row of screens before moving on to the top row.
- When building a stand with a central VESA mount (S2-V2) always attach this screen first before attaching any external VESA mounted screens (S2-V1).
- When mounting large or heavy screens we recommend that a second person be available to avoid the stand tipping when mounting the external VESA mounts (S2-V1).
- We recommend that you assemble the stand in its intended location. Assembled stands can be very heavy and we do not advise moving them with screens attached.
- The freestanding base is stable enough to hold up to 28" widescreen monitors with a gentle curve when mounting a row of three adjacent screens.
- It is possible to curve the outer screens round when mounting in a row of three adjacent screens however pulling the outer screens too far forwards can destabilise the stand. To avoid this we recommend securing the base to a desk. Alternatively you could clamp the base down to the back of a desk.

Alignment Tips

The Synergy Stand has been designed to make alignment of your screens easy and straightforward, here are some tips to further help with this.

- To achieve screen alignment you must ensure that the desk or platform on which the stand sits is level, if the base is not level then it will be very difficult to ensure that your screens are level when mounted.
- Central VESA mounts (S2-V2) have a hinge on them to control monitor tilt.
- Arm mounted VESA kits (S2-V1) can pivot left and right, they also have a hinge behind for tilt adjustment.
- To achieve perfect alignment the S2-V1 kits have a slot on the side of the assembly, this offers individual height adjustment.
- All VESA mounts (S2-V1 and S2-V2) also enable rotation of the attached screens, rotating left or right can help with alignment in certain circumstances.
- If the rotation, pivot or tilt of any VESA mounts (S2-V1 or S2-V2) feels too loose you can tighten these up easily by adjusting the screws on the back of the VESA plates. Note you will need to remove the screen from the stand to adjust the rotation screw on the S2-V2 kit.
- Screens can be quickly rotated into portrait mode without detaching them from the stand, simply pivot the screen left or right away from adjacent screens, then hold the screen in opposite corners and rotate it upwards.

You can watch some assembly videos showing component assembly and alignment best practices here:

<http://www.synergy-stand.com/assembly-videos.html>

Securing The Base To A Desk

The base supplied with your stand has been designed to ensure that your stand is stable and secure.

There is an option to secure the base to a wooden desk if required, doing so will increase stability when curving outer screens in towards you.

It can also be used as a security feature to secure the array to a desk.

To secure the base to a desk simply position your base in its final location before installing the central pole (S2-P1 or S2-P2). You will see that there is a hole in the base directly in the middle of where the central pole is attached. You can drill a hole in your desk and use a bolt and nut (not supplied) to secure the base plate to your desk.

Damaged Parts & Returns

We hope that you love your Synergy Stand and we do our utmost to supply it to you in full working order.

If you do come across a component that is damaged or missing then simply contact us and we will supply a replacement as soon as we possibly can.

If you wish to return your Synergy Stand product then you can do so within 14 days of receiving your order, to facilitate this you need to contact us and request a return. You then need to ensure everything is packaged up as it was originally sent out to you.

Due to the Synergy Stand being a modular self assembly product you may be charged a repair / replacement fee for any items returned that have installation damage, scratches or marks, or for items returned with missing components.

You can read our full returns policy online here: <http://www.synergy-stand.com/returns.html> or here: <http://www.multiplemonitors.co.uk/pages/returns/>



Multiple Monitors

Do you need a new multi-screen computer to power your screen array?

If so then visit Multiple Monitors, dedicated to multi-screen computing systems

- Powerful, fast and silent computers designed for professional users
- Configure your dream PC online using our easy computer customisation options
- Run between 2 and 24 screens from just 1 computer
- All computers built to order in just 3 – 4 working days
- Unmatched build quality and component selection ensures performance and reliability

www.MultipleMonitors.co.uk

SYNERGY STAND

Looking to purchase another multi-screen stand?

- Go to Synergy Stand to purchase quickly and easily online
- A full range of stand layouts to meet any mounting requirement
- Buy individual components to reconfigure your existing Synergy Stand
- Order before lunch for next day delivery (UK only)

www.Synergy-Stand.com